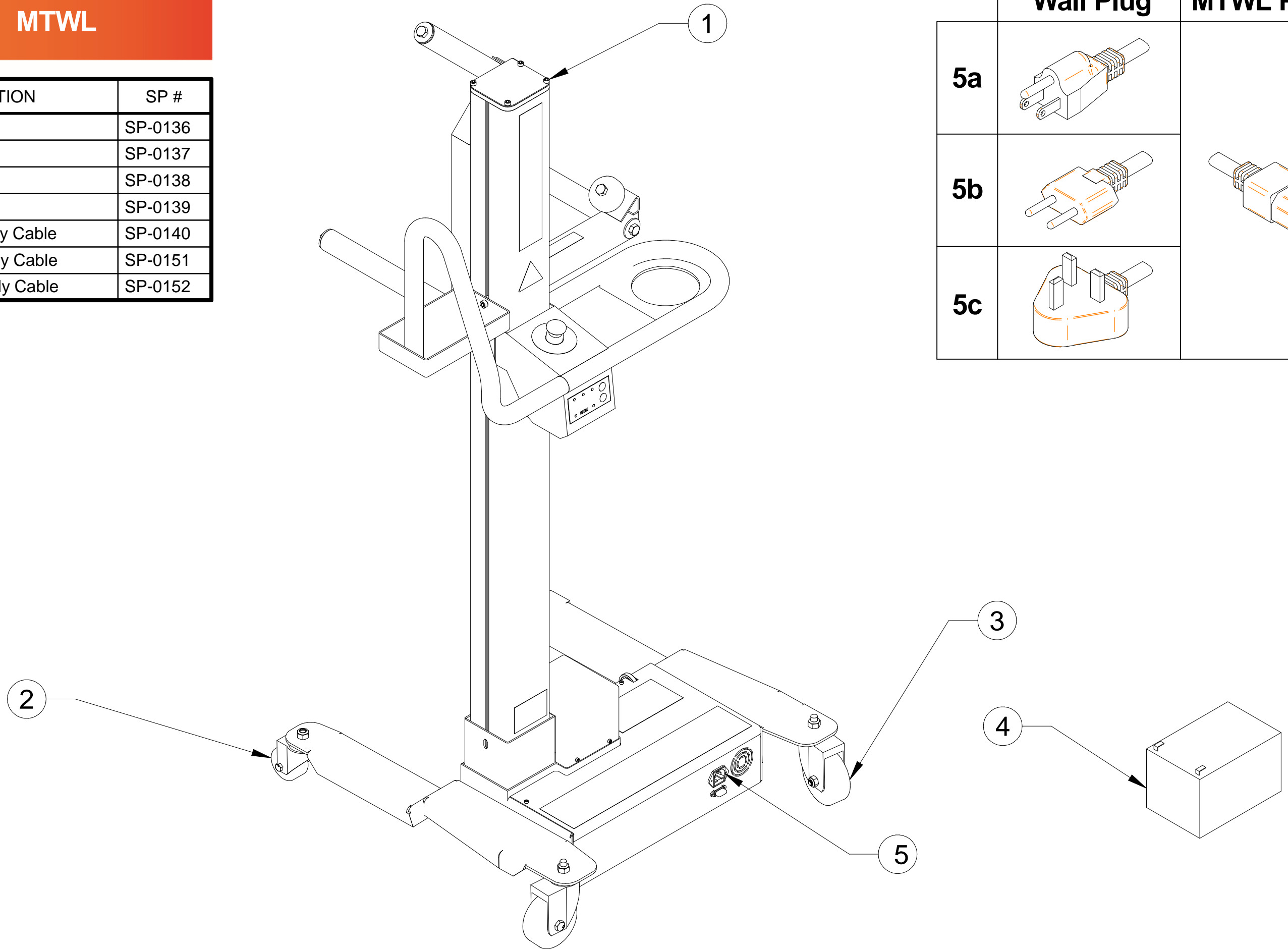


ITEM	DESCRIPTION	SP #
1	Hardware Kit	SP-0136
2	Caster (x2)	SP-0137
3	Caster (x2)	SP-0138
4	Battery (x2)	SP-0139
5a	Type B Power Supply Cable	SP-0140
5b	Type C Power Supply Cable	SP-0151
5c	Type G Power Supply Cable	SP-0152



	Wall Plug	MTWL Plug
5a		
5b		
5c		